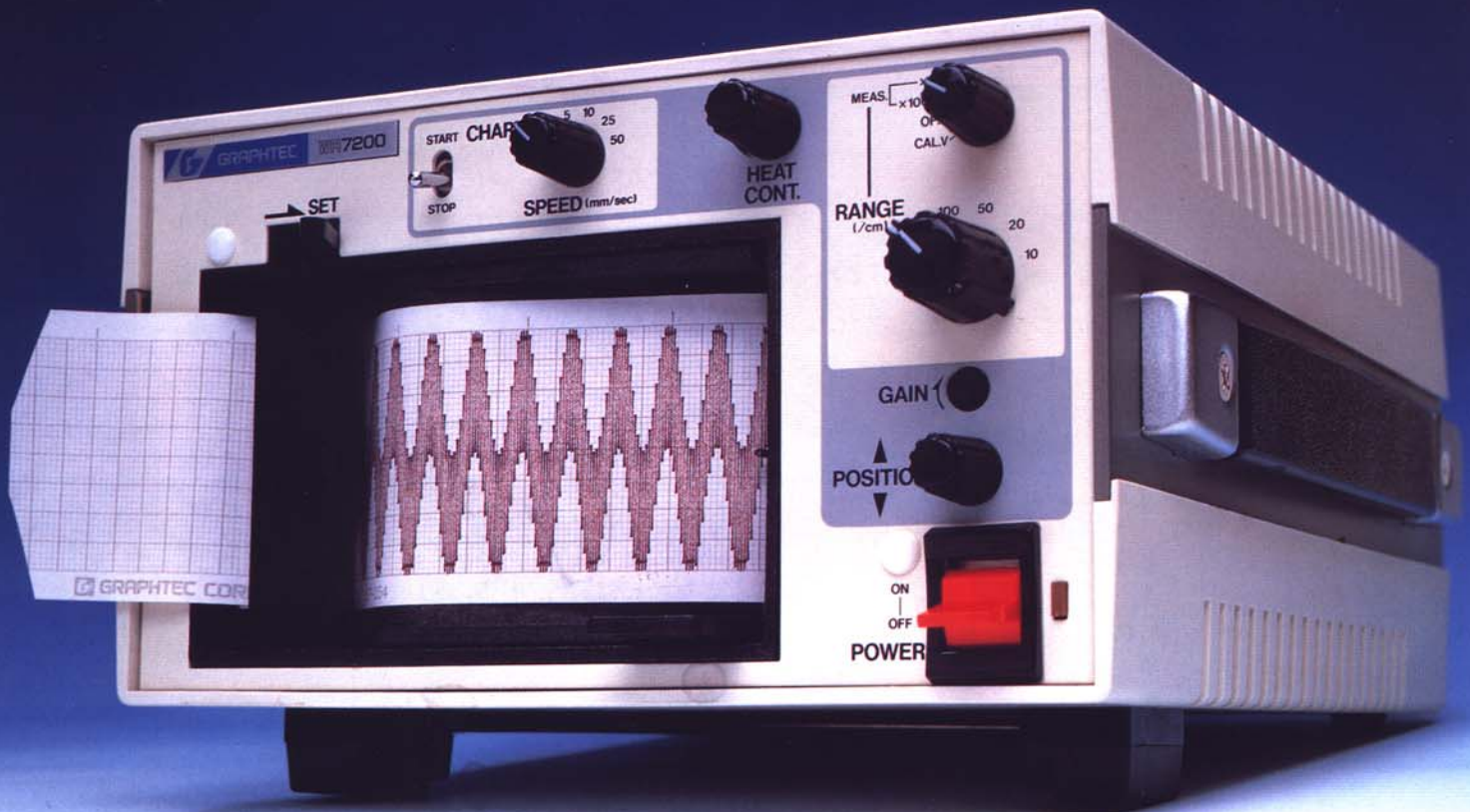


MINIWRITER

model WR7200

Thermal-writing single-channel recorder



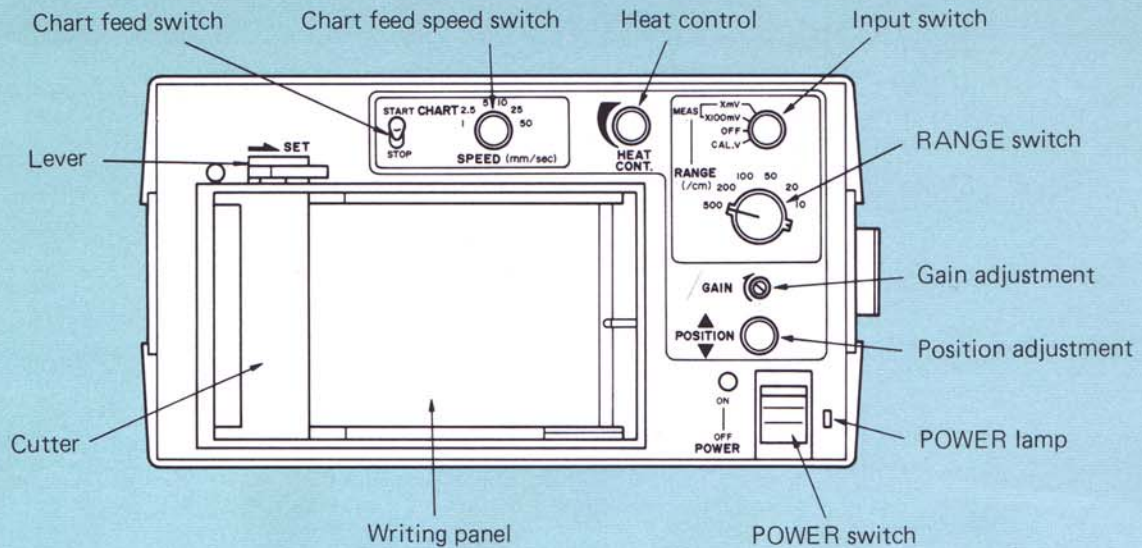
Portable & Lightweight

GRAPHTEC

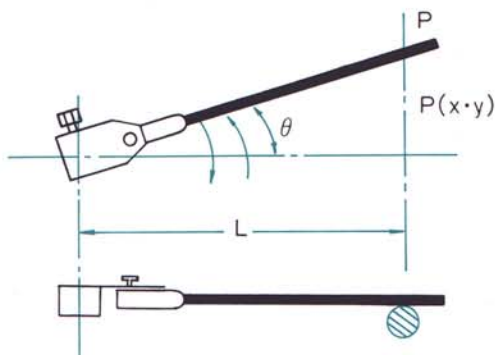
FEATURES

- High-speed response of 60 Hz (20mm p-p).
- Thermal writing – no messy inks.
- Externally synchronized chart feed.
- Choice of three recording positions – vertical, horizontal or inclined.
- Compact and lightweight – only 3.5 kg.

NOMENCLATURE



The roller edge method used in the WR7200



These formulae show the relationship (P_y) between linearity (P_x), angle of rotation (θ) and linear displacement:

O Center of rotation
 P Contact point between stylus & roller

$$P_x = L \text{ (fixed)}$$

$$P_y = L \cdot \tan \theta$$

$$\approx L \left(\theta + \frac{\theta^3}{3} \right)$$

SPECIFICATIONS

Number of channels	1
Recording width	±20 mm (controlled by electronic limiter)
Recording method	Thermal (edge writing)
Chart speeds	1, 2.5, 5, 10, 25, 50 mm/sec (accuracy ±1.5%)
Input type	Floating ground
Input resistance	1 MΩ, fixed (Minimal allowable signal source resistance 10 kΩ)
Maximum allowable input voltage	500 V DC (including common-mode voltage)
Measuring ranges	10, 20, 50, 100, 200, 500mV/cm 1, 2, 5, 10, 20, 50V/cm
Accuracy	±2.5% (including linearity and dead band)
Sensitivity adjustment	Continuously adjustable between ranges
Zero setting	Anywhere within full scale range
Calibration voltage	2 times the measuring range
Frequency response	DC ~ 60 Hz, 20mm p-p ±10%
Common mode rejection ratio	DC: 86 dB AC: 66 dB (50/60 Hz)
Heat control	Trimmer on the control panel
Remote functions	Chart feed internal/external Chart feed start/stop Chart feed external synchronization (0.05 mm/pulse)
Operating environment	0 ~ 45°C, 30 ~ 85% RH
Power requirements	100 V AC ±10% (115, 200, 220, 240 V – specify when ordering) 50/60 Hz
Power consumption	35 VA (max.)
External dimensions	W: 180 D: 102 H: 225 (mm) (±3mm tolerance)
Weight	3.5 kg

Standard accessories

Instruction manual	1 copy
Power cord	1
Input cable	1
Remote connector	1
Pen wrench	1
Fuse	1
Chart paper	1 roll (SP 254)

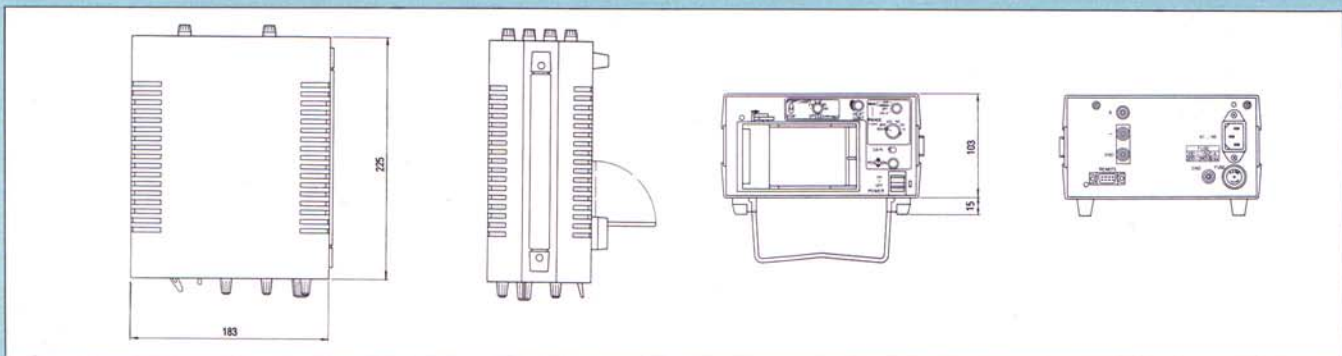
Supplies

Chart paper	SP254	20m roll
	SP266	40m roll
Recording pen	HP771	Hot stylus

Option

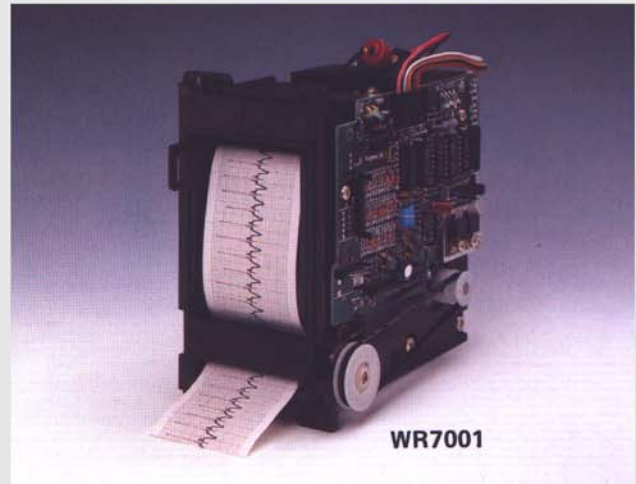
Chart feed (1/10 of standard speed)	B101	0.1, 0.25, 0.5, 1, 2.5, 5 mm/sec
--	------	----------------------------------

Dimensional diagrams



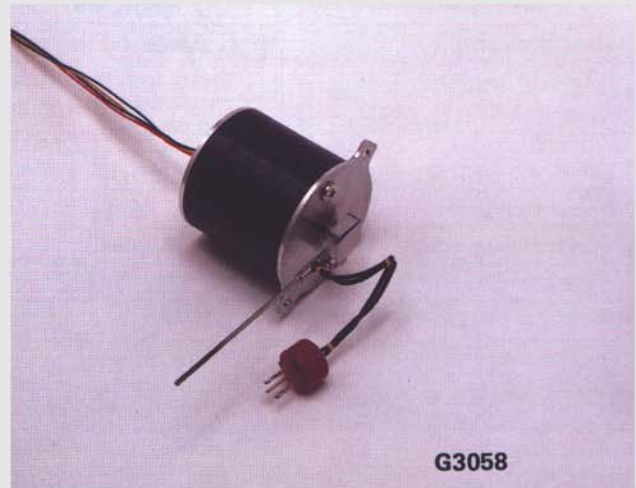
WR7001 Chart Drive Mechanism

Number of channels: 1 channel
Method of writing: Thermal writing
Channel width: 40 mm (290 mA/20 mm)
Pen length: 65 mm (Type HP771 stylus)
Chart paper: 20 m or 40 m length roll
Chart drive motor: Stepper motor (0.05 mm/pulse)
Chart drive accuracy: $\pm 1.5\%$ of driving distance
Chart drive speed: 3, 15, 30 mm/sec standard
Operating voltage: 9 V DC (1.3 A) for chart drive motor
Options: Alphanumeric thermal print head for annotation in the left hand margin.
Special chart speed available.



G3058 Pen Motor

Effective deflection: ± 0.3 radian
Current sensitivity: 940 mA/radian
Internal resistance: Primary coil: 21Ω (at 20°C)
Secondary coil: 95Ω (at 20°C)
Linearity: Within $\pm 2\%$ /full scale (HP771 stylus)
Torque: $9.6 \times 10 \text{ N}\cdot\text{m/radian}$
Intrinsic frequency: 52 Hz (without pen)
40 Hz (with pen, HP771)
Frequency response: DC to 60 Hz $\pm 10\%$ at 20 mm p-p
Weight: 210 g approximately



Specifications subject to change without notice.



GRAPHTEC

Western Graphtec Inc.
11 Vanderbilt, Irvine CA 92618
Toll-free USA: 1 800-854-8385
Worldwide: 1 949-770-6010
Fax: 1 949-855-0895